

## Specifications

Maximo Coax	4"	5 1/4"	6 1/2"	6x9"	
Nominal Impedance	4 ohm	4 ohm	4 ohm	4 ohm	
Power Handling	45W	70W	80W	100W	
Max. Transient Power Handling	100W	140W	160W	200W	
Sensitivity (2.83V/1M)	87.5dB	89.5dB	91dB	92dB	
Frequency Response	75-20,000 Hz	55-20,000 Hz	55-20,000 Hz	45-20,000 Hz	
Voice Coil Diameter	Woofer:	25mm(1")	25mm(1")	25mm(1")	25mm(1")
	Tweeter:	19mm(0.8")	19mm(0.8")	19mm(0.8")	19mm(0.8")
Voice Coil Wire	Copper	Copper	Copper	Copper	
Magnet System	Woofer:	High grade ferrite magnet	High grade ferrite magnet	High grade ferrite magnet	High grade ferrite magnet
	Tweeter:	Neodymium	Neodymium	Neodymium	Neodymium
Mounting Depth	52mm (2.1")	56mm (2.2")	63mm (2.5")	81mm (3.24")	



[www.morelhifi.com](http://www.morelhifi.com)

# maximo COAX

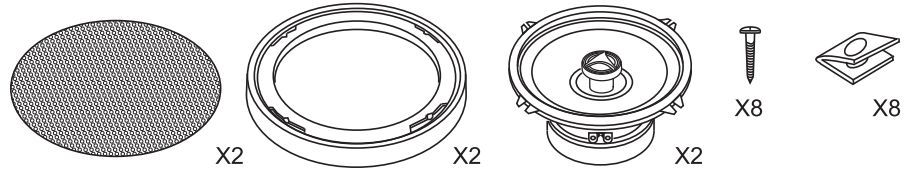
## 4" / 5 1/4" / 6 1/2" / 6x9"

### Installation Instructions

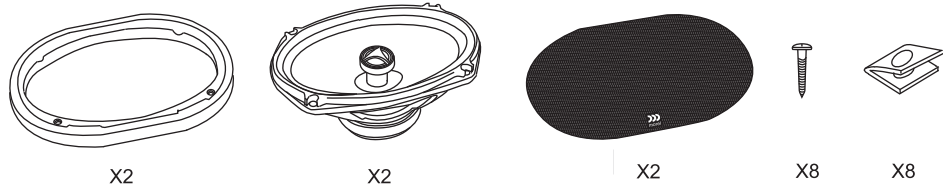


[www.morelhifi.com](http://www.morelhifi.com)

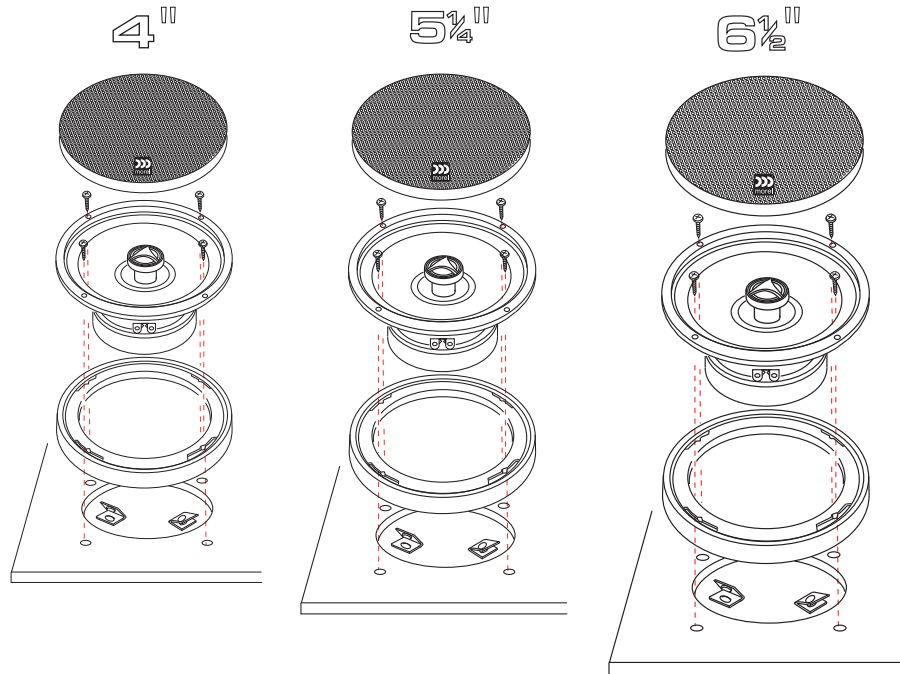
Content - 4" / 5¼" / 6½"



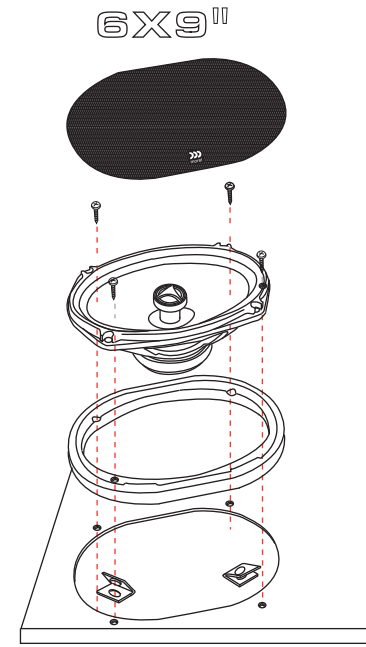
Content - 6x9"



Woofer Mounting



Woofer Mounting



Connection Diagram

Amplifier/Head unit

